

Multi-Vent Range of Centrifugal Fans

FF/SMCF234

- The MANROSE CF234 Series of Centrifugal Fans are probably the most revolutionary range of ventilation FANS to be launched on the market for many years.
- With its unique design, it is the only fan capable for installation in bathrooms, utility rooms and kitchens.
- The unique versatility of the MANROSE CF234 fans is achieved by an integral performance selector switch inside the fan which allows the installer to select the fan speed for the appropriate room. This means only one type and style of fan is required for the total home ventilation requirement. This removes the need of buying and dual stocking an extensive range of ventilation fans for each room.
- The CF234 will also benefit the installer as each fan does not require different pre-installation procedures for wiring and ducting systems. The MANROSE CF234 Series is available in two versions, surface mount and flush fitting.
- Three performance ratings, 100m³/hr, 28 litres per second, 162m³/hr, 45 litres per second and 234m³/hr, 65 litres per second.
- Eight models in the range. Manufactured using impact resistant ABS thermo-plastics for strength and durability, and fitted with a powerful backward curved centrifugal impeller. A spring operated non-return flap is built into the discharge spigot to prevent backdraughts.

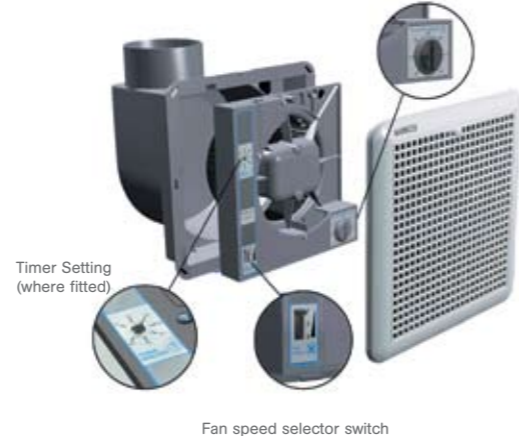
- Designed for simple two-step installation, the building frame can be fitted
- Designed to comply with the 2006 Building Regulations on Ventilation (F1).



Surface mounted model



Flush fitting model



Technical Details

Flush Fitting Range Cat. No.

FFCF234S **SMCF234S**

FFCF234P **SMCF234P**

FFCF234T **SMCF234T**

FFCF234TP **SMCF234TP**

FFCF234H **SMCF234H**

FFCF234HP **SMCF234HP**

FFCF234HT **SMCF234HT**

FFCF234PIR **SMCF234PIR**

Surface Mount Range Product type

Standard model for remote switching

As above supplied with Pullcord switch

Timer model incorporating integral adjustable electronic timer (1-20 mins)

As above but with pullcord override switch
Requires no switched live

Electro-Mechanical Humidity Control with on/off switch adjustable 20-90% RH

As above but with pullcord switch and neon light

As above but with adjustable electronic timer (1-20 mins)

PIR activated model with adjustable timer which switches on as a person enters the room and runs on after the room is vacated. There is no need to connect to a separate switch. Timer adjustable between 1-20 mins. Requires no switched live.

Packaging

CF234 Series in outers of 10. For packaging dimensions, please contact our technical department.

Installation

All models are designed to be mounted on walls or ceilings and discharged through 100mm (4")Ø flexible or rigid pipes. Also suitable for use on the Manrose low profile flat channel ducting systems.

Electrical

220-240V - AC. 50Hz □. Single phase consuming 60W. These fans are double insulated and do not require an earth. All wiring must comply with the current IEE regulations. A double pole isolating switch, having a contact separation of at least 3mm in all poles, must be used with a 3 amp fuse fitted. The fan should not be accessible to a person using either the shower or bath and mounted a minimum of 1.8m from the floor.

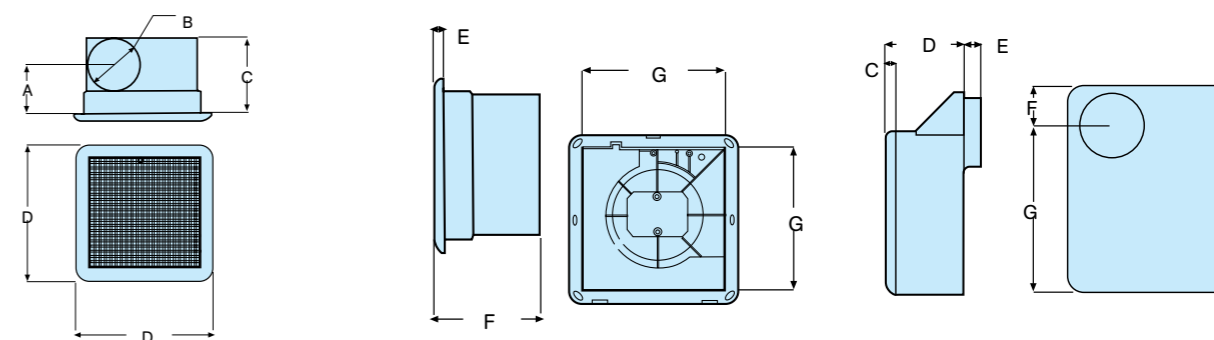
Motor

Single phase induction motors with pre-oiled bearings fitted for a long, maintenance-free life and protected by an auto-reset thermal cut-out.

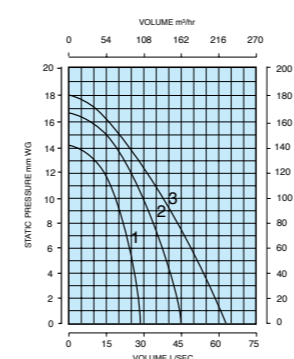
Additional Data

Setting	Maximum Pressure	Watts	Fan Speed	Performance	Sound Volume
Bathroom 1	140 p.a.	20	950 rpm	100m ³ /hr 28lps	37 dB(A)
Utility 2	165 p.a.	40	1500 rpm	162m ³ /hr 45lps	51 dB(A)
Kitchen 3	180 p.a.	60	1850 rpm	234m ³ /hr 65lps	56 dB(A)

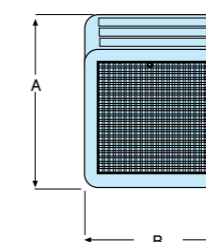
Dimensions FFCF234 Series



Performance Graph



Dimensions SMCF234 Series



Dimensions (mm)

PRODUCT	A	B	C	D	E	F	G
FFCF234	91	96Ø	141	250	15	155	210
SMCF234	312	250	15	119.5	22.5	63	249

