

# MET In-line Centrifugal Fan Range

MET RANGE



Designed for a wide range of commercial and industrial applications, offering high airflow performance in a choice of duct sizes.

Powerful and unobtrusive, the MET range have extract rates from 216m<sup>3</sup>/h to 1296m<sup>3</sup>/h.

An extensive range of accessories is available to cover most ducted applications. Supplied with mounting feet for horizontal or vertical mounting.

A comprehensive range of ventilation accessories available to cover most ducted applications.

MET range incorporates a backward curved centrifugal impeller designed for large airflow against the resistance experienced in longer duct lengths. All models have 30mm long inlet and discharge spigots for easier ductwork connection.

## Technical Details

Cat. No.	Product type		Power Watts	Sound dB (A) <sup>3m</sup>	Weight kg
MODEL	Speed	Performance Rpm			
<b>MET100</b>	2450	216 m <sup>3</sup> /h	80 60 l/s	47	3.0
<b>MET125</b>	2450	288 m <sup>3</sup> /h	80 80 l/s	47	3.0
<b>MET150</b>	2600	576 m <sup>3</sup> /h	85 160 l/s	51	5.0
<b>MET200</b>	2600	756 m <sup>3</sup> /h	85 210 l/s	50	5.0
<b>MET250</b>	2700	900 m <sup>3</sup> /h	150 250 l/s	53	5.5
<b>MET315</b>	2460	1296 m <sup>3</sup> /h	230	61	6.0

## Electrical

220-240V - AC. 50Hz single phase. These fans are double insulated and do not require an earth. All wiring must comply with current IEE regulations. A double pole isolating switch, having a contact separation of at least 3mm in all poles, must be used with a 3amp fuse fitted.

## Motor

Motors are single phase external rotor design with capacitor start to optimise efficiency. HOT SPOT protection protects the motor from damage due to overheating/overloading. Sealed for life bearings ensure maintenance free operation.

## Construction

Spun steel case featuring an aerodynamically designed airflow guide vane. 30mm inlet and discharge spigot for ease of installation.

## Installation

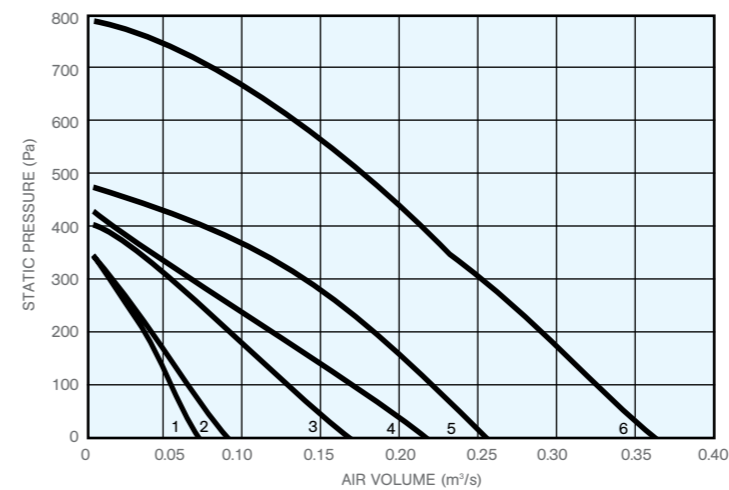
Induct fans suitable for in-line and designed for use with suspended ceiling systems.

## Speed Controller

Cat No. METCON

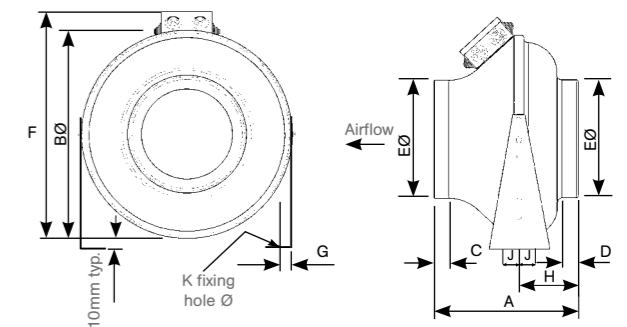
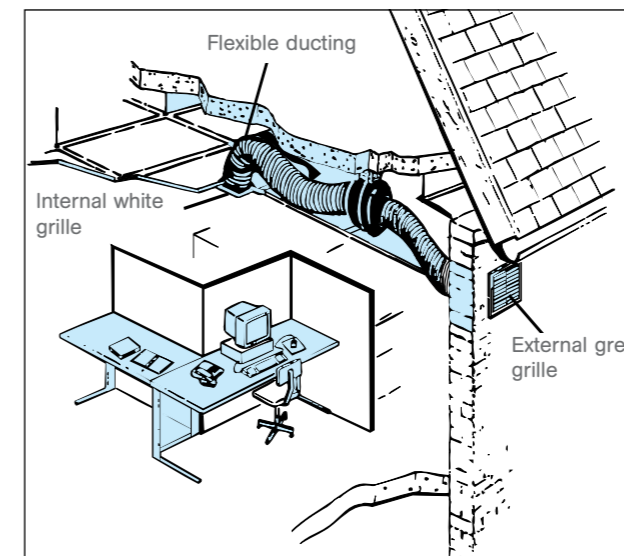


## Performance



Size	100A	125A	150A	200A	250A	315A
	1	2	3	4	5	6

## Installation



## Dimensions

Product size	A	BØ	C	D	EØ	F	G	H	J	KØ	Weight Kg
<b>MET100</b>	240	250	35	36	98	280	41.5	120	42.5	7	3.0
<b>MET125</b>	240	250	35	36	123	280	41.5	120	42.5	7	3.0
<b>MET150</b>	250	342	35	36	148	372	41.5	120	42.5	7	5.0
<b>MET200</b>	239	349	25	27	198	379	41.5	99	42.5	7	5.0
<b>MET250</b>	259	349	25	27	248	379	41.5	129	42.5	7	5.5
<b>MET315</b>	259	399	32	27	313	441	41.5	139	42.5	7	6.0

